

# The Board Room

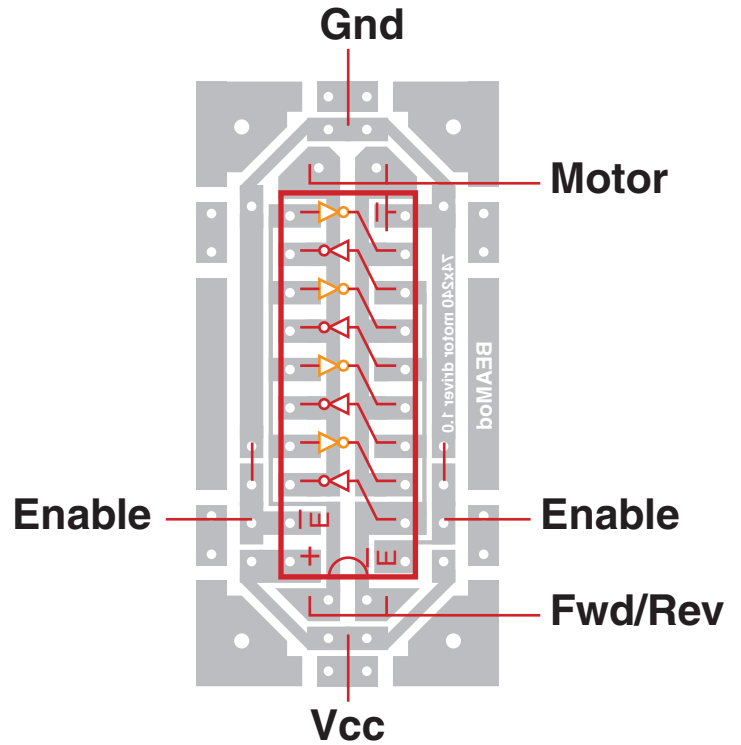
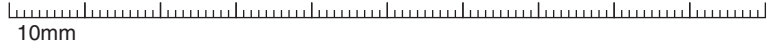
BEAMod - Modular building blocks for BEAM robotics

© Bill Bigge 2001

74240 motor driver v1.0

For bi directional motor contro from a bicore - connect inputs to Nv outputs. Stack IC's for more current capacity

PCB size 20 x 40mm



Single



Pair

