



The Board Room

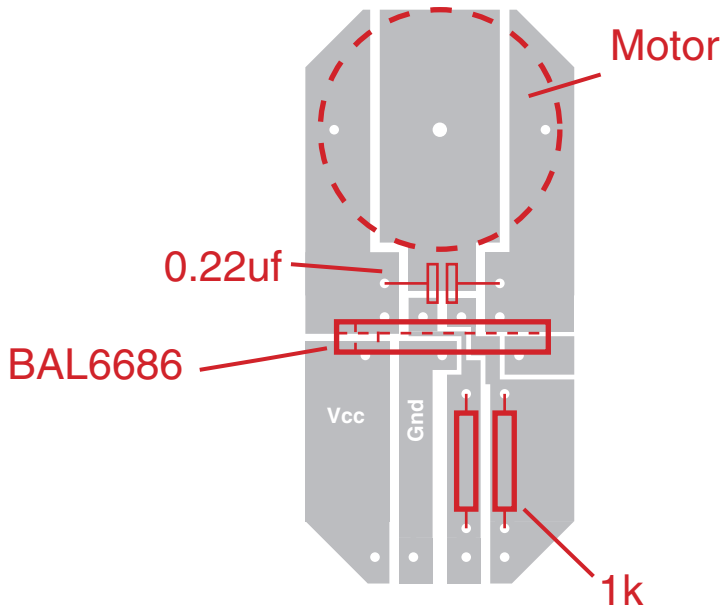
BEAMod - Modular building blocks for BEAM robotics

© Bill Bigge 2001

Servo IC replacement 1.0 (Untested)

A replacement PCB for the Tower Hobbies Servo as sold by Solarbotics designed to use the driver IC from the existing servo board as a forward and reverse controller. The IC is not capable of controlling the motor speed, it works only as an on/off controller unless you drive it with a pulsed signal.

The IC should be fairly easy to desolder from the original board as it is a single sided PCB. The board should also work in other makes of servo.



Motor driver IC from Tower Hobbies servo

